

POWER YOUR FUTURE

Weichai Group  
LG36WP

WP2.3D47E201

Prime Power: 36KW/45KVA

Standby Power: 40KW/50KVA



## GENERATING POWER SOLUTIONS

### **Increased availability for new operations**

Reliable, robust and versatile generator.  
Ready to deliver power for a next job.

### **Increased uptime during operations**

Once installed on the end-user-site, the generator will be ready to run: "peace of mind" operation.

### **Reduced transport and installation costs**

The compact and robust design with integrated transport features enables faster and safer transport and installation.

### **Reduced service & maintenance costs**

Longer service intervals.  
Quicker and more efficient service jobs.

### **Premium resale value**

Designed and built to last.

### **SAFETY**

- Operate safely in accordance with proper operation manual.
- To prevent trouble and accidents, perform daily and preventive maintenance checks without fail.

Weichai Series

25KVA--1250KVA



## Technical Data

LG36WP

Model		LG36WP
Rated prime power	kva	45
Rated standard power	kva	50
Rated voltage line to line	V	220/127
Rated current	A	118
Maximun sound level	dB(@7m)	≤96

### Engine-WEICHA

Model	WP2.3D47E201	
Aspiration	In-Line, 4 stroke	
Stroke	4	
No. cylinders	4 in line	
Displacement	Liquid	2,3
Bore*Stroke	mm	89*92
Compression ratio	17,5	
Rated speed	r/min	1800
Max power(with fan)	Kw	47
Governor type	Electronical	
Start Motor	V	12

### Exhaust System

Exhaust gas flow	kg/h	50
Exhaust gas temp	°C	650
Max back pressure	kPa	8

### Aspiration System

Min intake pipe diameter	mm	50
Air flow	kg/h	240

### Fuel System

100% load(Prime power)	L/h	9
75% load(Prime power)	L/h	6,75
50% load(Prime power)	L/h	4,5
Fuel tank capacity	L	110

### Lubrication System

Total system oil capacity	L	8
Oil consumption	g/kwh	≤216
Min oil pressure	kPa	80-850
(continuous operation)		

### Cooling System

Coolant capacity (Engine)	L	5
Thermostat operation range	°C	81.2-86.6
Max water temperature	°C	40

### Alternator

Model	LONGKAI	LK184H
	STAMFORD	PI144G
Phase	3	
Voltage	V	220/127
Wiring Type	3 Phase 4 wire, Y type	
Bearing	1	
Power factor	0,8	
Frequency	Hz	60
Prime power	KVA	50
Exciter Type	Brushless, self-excitation	
Voltage regulation	%	±0.5
Protection Grade	IP 23	
Insulation grade	H/H	
Altitude	m	≤1000

### Controller-DEEPSEA

Model	DSE6120
-------	---------

Protective functions:

- Low oil pressure
- High water temperature
- High/low voltage
- High Engine Temperature and Overspeed.
- Voltage regulator frequency regulator
- Emergency stop
- Start failure



### Control Module Options



- Auto generator control module
- Control module with "Three Remote Control" functions
- ATS auto load transfer screen
- Synchronising control modules
- Power output cabinet

### Standard Features

- Engine(Weichai )
- Radiator 50°C max,fans are driven by be
- 24V charge alternator
- Alternator: single bearing alternator IP23, insulation class H/H
- Standard auto control system
- One set of air filter, fuel filter, oil filter
- Main line circuit breaker/MCCB
- Base fuel tank
- Two 24V batteries, rac and cable
- Exhaust system(Ripple flex exhaust pipe, exhaust siphon, flange, muffler
- User manual

### Options

- Battery charge
- Engine heater
- Alternator heater
- PMG
- Water oil separator
- Daily fuel tank
- Remote control panel
- Automatic transfer switch/ATS
- Switch box
- Standard: ● Options: ○

### Warranty\*

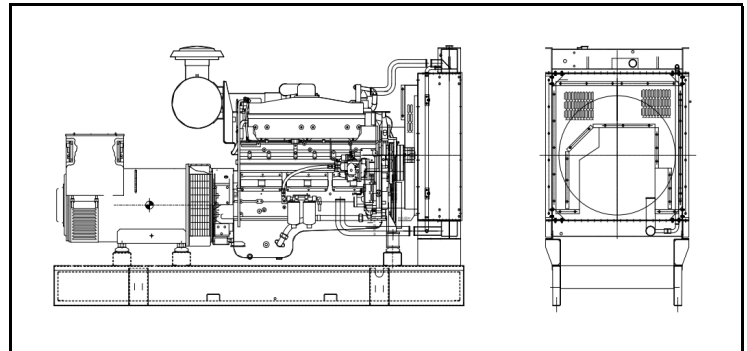
#### Weichai Engine

12 months from date of purchase and 1000 hours.

#### Generator

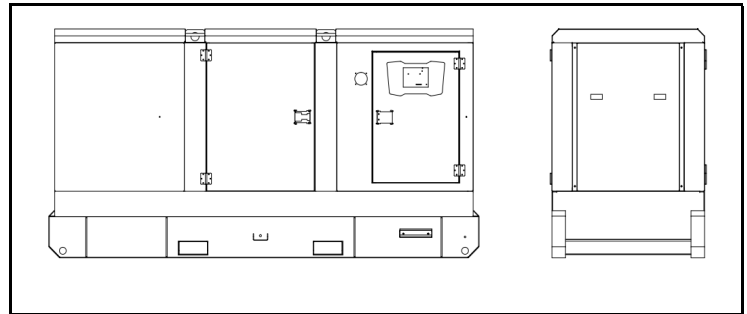
12 months from date of purchase or 1000 hours (whichever occurs first).

### Unit Dimensions(Basic unit)



#### Open Type

L*W*H	mm	1900*800*1200
Weight	kg	750



#### Silent Type

L*W*H	mm	2270*960*1200
Weight	kg	1030

LONGKAI POWER Official Distributor in Ecuador :  
 MPVILLACIS ECUADOR CIA LTDA  
 Tel : ( 593 ) (2) 3460 154  
 OFIC.CALLE N75-B Y CALLE E6 CASA E5-91  
 WWW.MPVECUADOR.COM