

POWER YOUR FUTURE

Weichai Group
LG291WP

WP10D360E201

Prime Power: 291KW/364KVA

Standby Power: 320KW/400KVA



GENERATING POWER SOLUTIONS

Increased availability for new operations

Reliable, robust and versatile generator.
Ready to deliver power for a next job.

Increased uptime during operations

Once installed on the end-user-site, the generator will be ready to run: "peace of mind" operation.

Reduced transport and installation costs

The compact and robust design with integrated transport features enables faster and safer transport and installation.

Reduced service & maintenance costs

Longer service intervals.
Quicker and more efficient service jobs.

Premium resale value

Designed and built to last.

SAFETY

- Operate safely in accordance with proper operation manual.
- To prevent trouble and accidents, perform daily and preventive maintenance checks without fail.

Weichai Baudouin Series
450KVA--1250KVA



Technical Data

LG291WP

Model		LG291WP
Rated prime power	kva	364
Rated standard power	kva	400
Rated voltage line to line	V	220/127
Rated current	A	955
Maximun sound level	dB(@7m)	≤96

Engine-WEICHA

Model	WP10D360E201	
Aspiration	Turbo, Intercooled	
Stroke	4	
No. cylinders	6 in line	
Displacement	Liquid	9,726
Bore*Stroke	mm	126*130
Compression ratio	17	
Rated speed	r/min	1800
Max power(with fan)	Kw	327
Governor type	Electrical	
Start Motor	V	24

Exhaust System

Exhaust gas flow	kg/h	/
Exhaust gas temp	°C	580
Max back pressure	kPa	7,5

Aspiration System

Min intake pipe diameter	mm	100
Air flow	kg/h	1830

Fuel System

100% load(Prime power)	L/h	85
75% load(Prime power)	L/h	59
50% load(Prime power)	L/h	40
Fuel tank capacity	L	500

Lubrication System

Oil capacity	L	23
Oil consumption	g/kwh	≤210
Oil pressure	kPa	80-1000
(continuous operation)		

Cooling System

Coolant capacity	L	51
Thermostat operation range	°C	83-98
Max water temperature	°C	95

Alternator

Model	LONGKAI	LK444E
	STAMFORD	HCI444E
Phase	3	
Voltage	V	220/127
Wiring Type	3 Phase 4 wire, Y type	
Bearing	1	
Power factor	0,8	
Frequency	Hz	60
Prime power	KVA	364
Exciter Type	Brushless, self-excitation	
Voltage regulation	%	±0.5
Protection Grade	IP 23	
Insulation grade	H/H	
Altitude	m	≤1000

Controller-DEEPSEA

Model	DSE6120
-------	---------

Protective functions:

- Low oil pressure
- High water temperature
- High/low voltage
- High Engine Temperature and Overspeed.
- Voltage regulator frequency regulator
- Emergency stop
- Start failure



Control Module Options



- Auto generator control module
- Control module with "Three Remote Control" functions
- ATS auto load transfer screen
- Synchronising control modules
- Power output cabinet

Standard Features

- Engine(Weichai)
- Radiator 50°C max,fans are driven by be
- 24V charge alternator
- Alternator: single bearing alternator IP23, insulation class H/H
- Standard auto control system
- One set of air filter, fuel filter, oil filter
- Main line circuit breaker/MCCB
- Base fuel tank
- Two 24V batteries, rac and cable
- Exhaust system(Ripple flex exhaust pipe, exhaust siphon, flange, muffler)
- User manual

Options

- Battery charge
- Engine heater
- Alternator heater
- PMG
- Water oil separator
- Daily fuel tank
- Remote control panel
- Automatic transfer switch/ATS
- Switch box
- Standard: ● Options:○

Warranty*

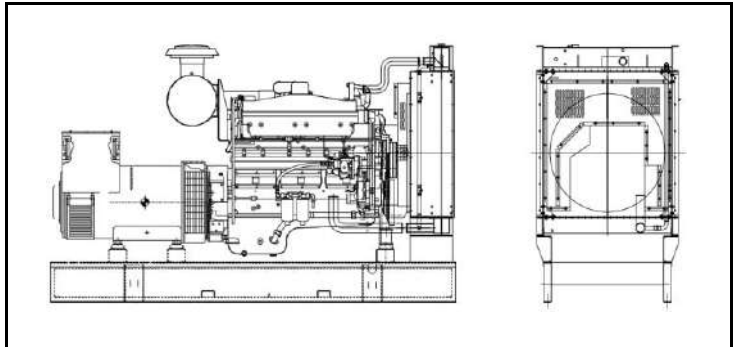
Weichai Engine

12 months from date of purchase and 1000 hours.

Generator

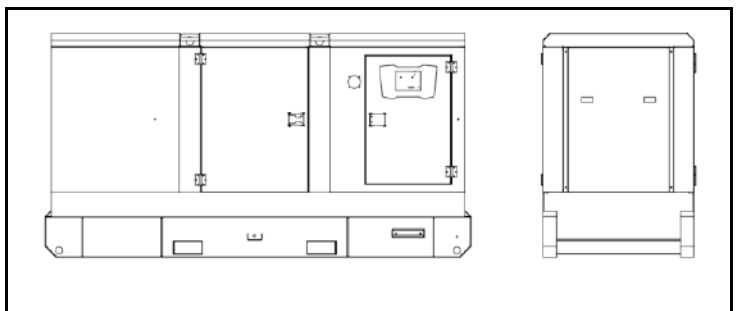
12 months from date of purchase or 1000 hours (whichever occurs first).

Unit Dimensions(Basic unit)



Open Type

L*W*H	mm	3050*1100*1800
Weight	kg	3200



Silent Type

L*W*H	mm	4150*1400*2150
Weight	kg	4900

